

# HAKA G-82T

Technical data  
State 11/2023

| Technical data  | Natural gas               |                           | Propane                   |                           |
|---|---------------------------|---------------------------|---------------------------|---------------------------|
|   | G20                       | G25                       | G30                       | G31                       |
| Category  |                           |                           |                           |                           |
| <b>Operational Data</b>   |                           |                           |                           |                           |
| Nominal heat power  | 7,3 kW                    | 6,4 kW                    | 6 kW                      | 5,3 kW                    |
| Reduced power (Eko mode)  | 2,3 kW                    | 2,1 kW                    | 2,6 kW                    | 1,4 kW                    |
| Efficiency  | 79,0 %                    | 78,2 %                    | 77,9 %                    | 78,8 %                    |
| Gas consumption at nominal heat power   | 0,992 m <sup>3</sup> /hod | 0,992 m <sup>3</sup> /hod | 0,236 m <sup>3</sup> /hod | 0,236 m <sup>3</sup> /hod |
| Gas pressure  | 20 mbar                   | 20 mbar                   | 28 / 30 mbar              | 30 mbar                   |
| <b>Data for convection enclosure</b>  |                           |                           |                           |                           |
| Minimal grill area supply / outgoing  | 350 / 350 cm <sup>2</sup> |                           |                           |                           |
| Minimum distance from insulated areas / floor                                     | 30 / 100 mm               |                           |                           |                           |
| Calciumsilikat insulation <sup>1</sup><br>ceiling / back wall / side wall / floor | 30 / 40 / 40 / 0 mm       |                           |                           |                           |
| <b>Daten für Bauweise mit Strahlungsgehäuse</b>                                   |                           |                           |                           |                           |
| Minimum radiant area <sup>2</sup>   | 4 m <sup>2</sup>          |                           |                           |                           |
| Minimal grill area supply / outgoing  | 400 / 400 cm <sup>2</sup> |                           |                           |                           |
| Minimum distance from insulated areas / floor                                     | 30 / 100 mm               |                           |                           |                           |
| Calciumsilikat insulation <sup>1</sup><br>ceiling / back wall / side wall / floor | 40 / 40 / 40 / 0 mm       |                           |                           |                           |
| <b>General technical information</b>  |                           |                           |                           |                           |
| Smoke outlet  | 130 / 200 mm              |                           |                           |                           |
| Installation type   | C11 / C31 / C91           |                           |                           |                           |
| Gas connection  | 1/2 inch                  |                           |                           |                           |
| Total weight / with ribbed lining   | 152 kg / 202 kg           |                           |                           |                           |
| Tested according to   | EN 613                    |                           |                           |                           |

1 Example SkamoEnclosure Board 225 kg/m<sup>3</sup>.

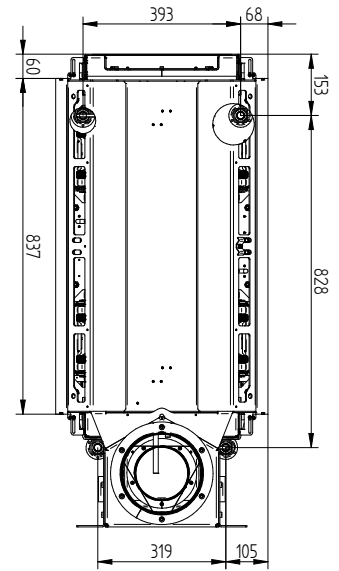
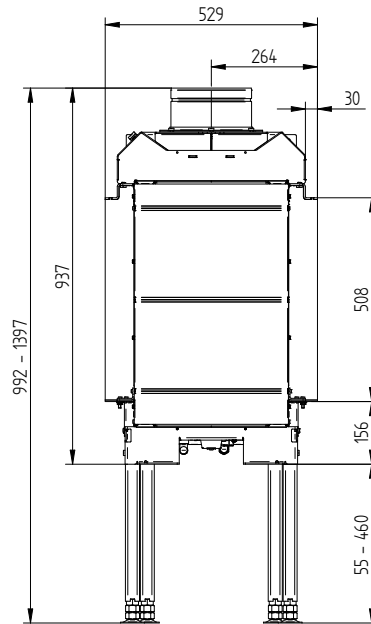
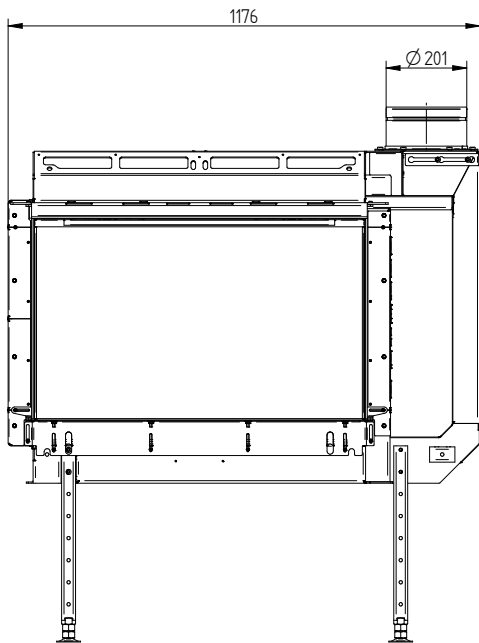
2 Depends on accumulation period and material characteristics.

Listed values calculated with chamotte stone thickness 30 mm with radiant area 500 W/m<sup>2</sup>.

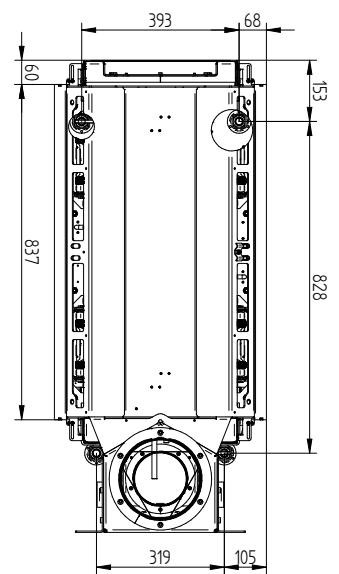
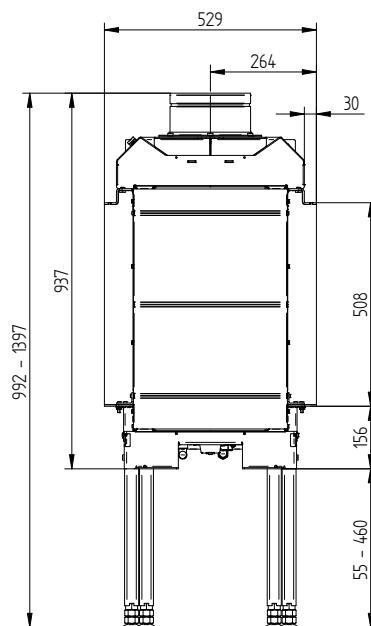
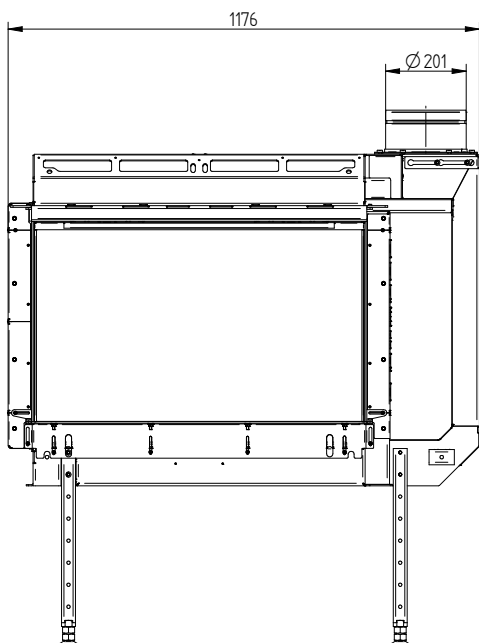
# HAKA G-82T

Technical data  
State 11/2023

## HAKA G-82T Build-on frame 4/30 mm



## HAKA G-82T Build-on frame 8/55 mm



# HAKA G-82T

Technical data  
State 11/2023

## HAKA G-82T Build-on frame 8/85 mm

---

